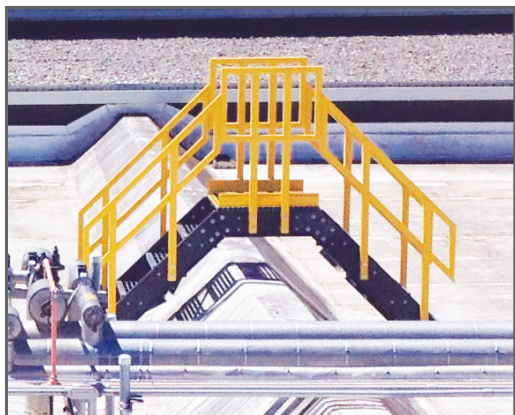


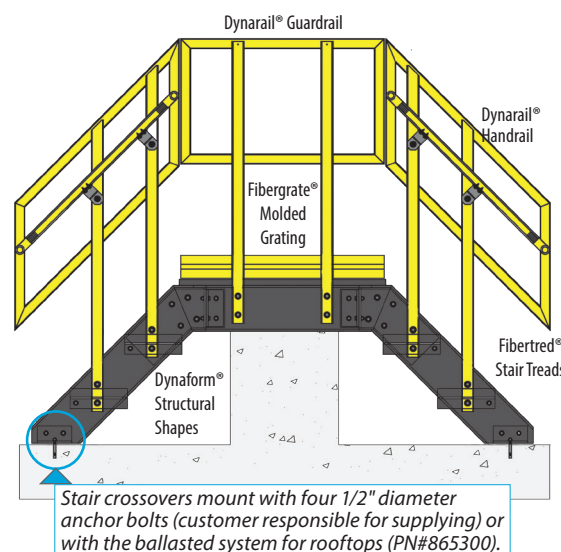
FRP Stair Crossovers



Are you tired of paying more money and having longer lead times when having to order custom crossover stairs? Now you don't have to — Fibergate now offers a new pre-engineered, standard solution!

Fibergate's composite stair crossovers are versatile enough to solve many of the day-to-day needs of most facilities. Whether you need a crossover for a retaining wall or a walkover over tanks, pipes, conveyors or other obstructions, Fibergate's pre-engineered solution is offered in a variety of heights that address most standard clearances. This will save you time and

money. Fibergate's stair crossovers also provide a safer working environment. All standard systems are newly redesigned to meet the revised OSHA Standards 1910.25 for Ship Stairs and Stairs and 1910.29 for Guardrails and Stair Rail Systems. The 45° angle of climb is easy for workers to manage when carrying loads, and the surface of the stairs and platform provide slip resistant footing. A ballasted system is available for rooftop applications. Traditional material options such as heavy, expensive steel or stainless steel crossovers are often unsafe, costly to ship and install, and difficult to clean. Fibergate's composite crossovers offer a better solution!



WHY USE FIBERGRATE'S STAIR CROSSOVERS?



CORROSION RESISTANT

Fibergate composite products are known for their ability to provide corrosion resistance in the harshest environments and chemical exposures. Our products remain durable and will not rust or rot.



SLIP RESISTANT

The surfaces of Fibergate's grating and stairs provide superior slip resistance in most environments, including oily or wet conditions. This improves worker safety and reduces slips and falls.



EASY INSTALLATION

FRP stair crossovers are lightweight and easy to install. Fibergate products eliminate the need for heavy lifting equipment, creating convenience and saving money.

SPECIFICATIONS

Safety Ratings

Meets OSHA Requirements:

- 1910.25
- 1910.29

Materials of Construction

Fiberglass Reinforced Plastics (FRP)

- Fibergate® Grating & Fibertred® Stair Treads with Slip Resistant, Meniscus Surface; Corvex® Resin; Dark Gray
- Dynaform® Structural Shapes; ISOFR Resin; Dark Gray
- Dynarail® Guardrail & Handrail; ISOFR Resin with UV Coating; Yellow

Measurements

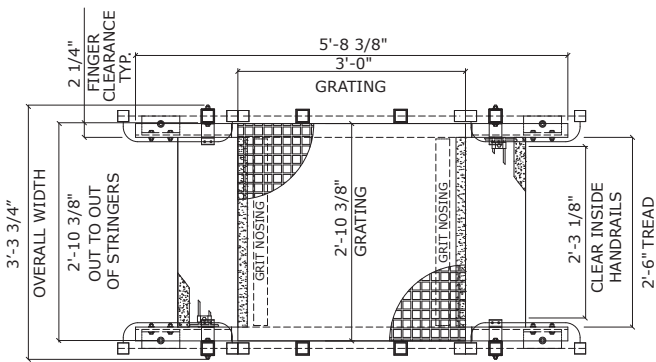
PART #	CLEARANCE HEIGHT	APPROX. WEIGHT
866210.01	10" Clearance	200 lbs
866219.01	19-1/2" Clearance	240 lbs
866229.01	29" Clearance	266 lbs
866238.01	38-1/2" Clearance	320 lbs
866248.01	48" Clearance	374 lbs
866265.01	65" Clearance	447 lbs

FRP Stair Crossovers

Detailed Drawings

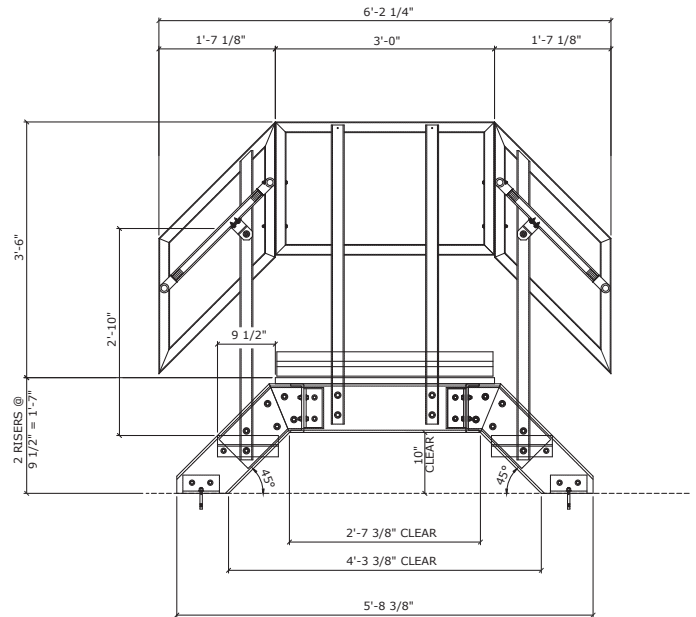
All crossovers are constructed of Fibergate® molded grating with Corvex® resin system in dark gray with meniscus surface, dark gray molded Fibertred® stair treads with Corvex resin and meniscus surface with grit nosing, ISOFR dark gray Dynaform® structural shapes, and ISOFR yellow UV coated Dynarail® guardrail.

10" CLEARANCE - GRATING PLAN

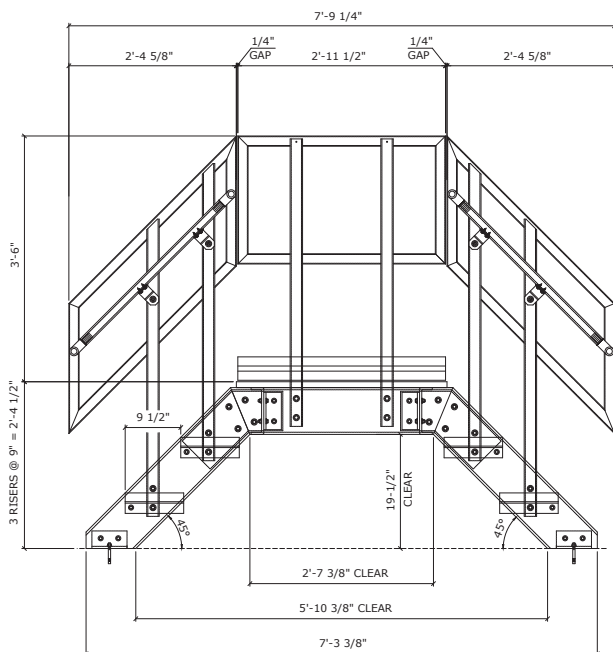


All standard crossover stairs (10", 19-1/2", 29", 38-1/2", 48" and 65" clearances) have 2'-6" wide stair treads and an overall width of 3'-3 3/4".

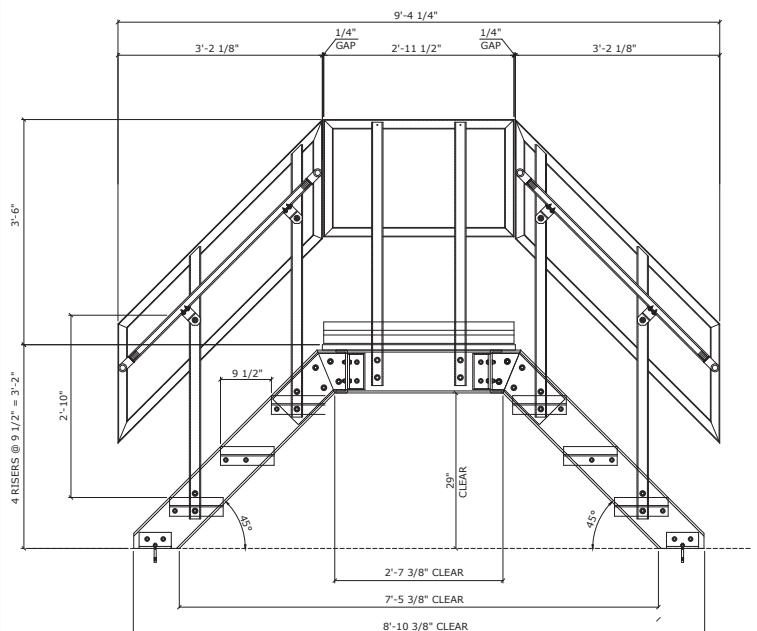
10" CLEARANCE PN#866210.01



19-1/2" CLEARANCE PN#866219.01

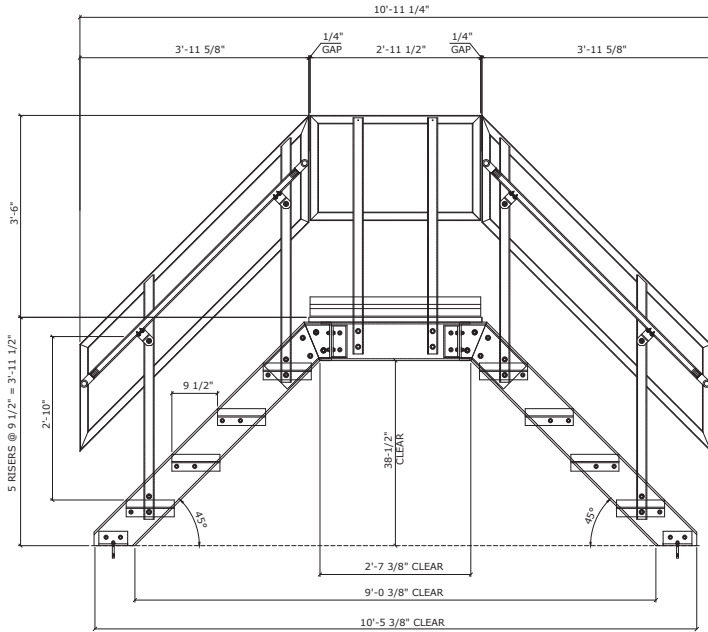


29" CLEARANCE PN#866229.01

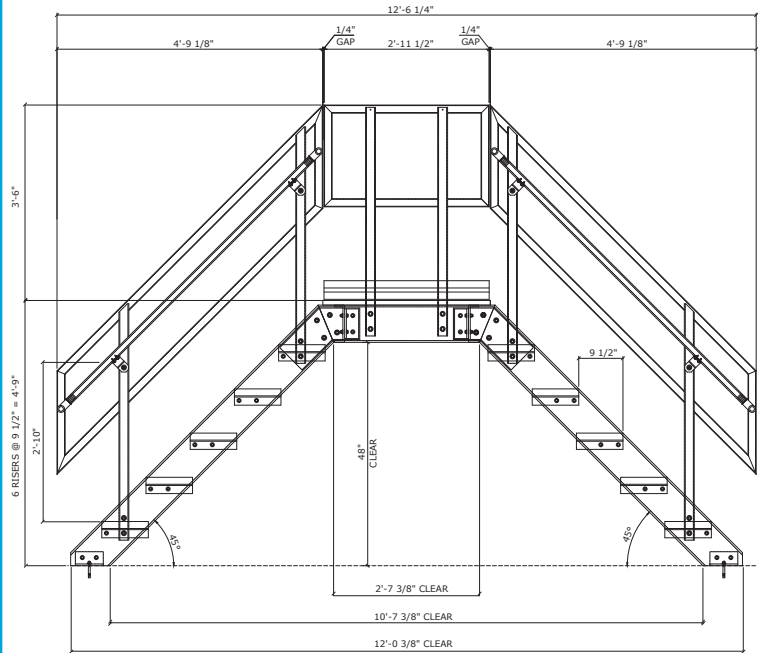


FRP Stair Crossovers

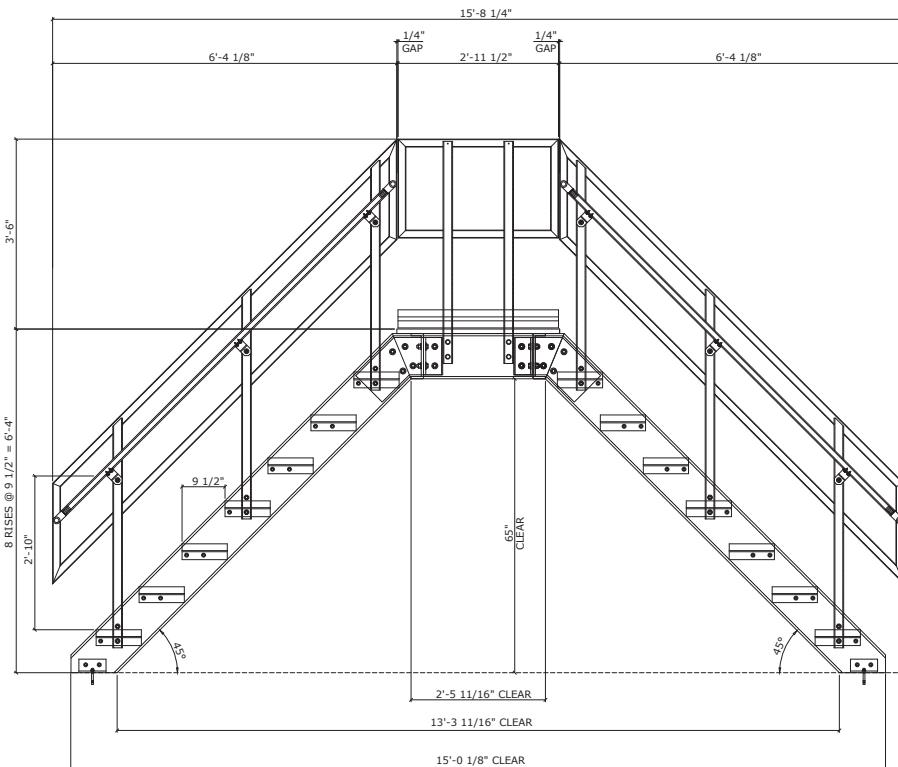
38-1/2" CLEARANCE
PN#866238.01



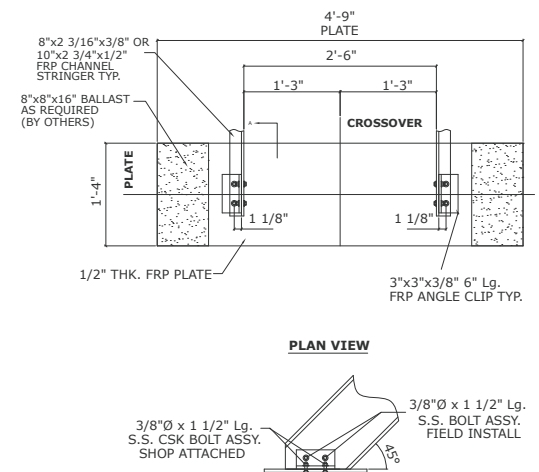
48" CLEARANCE
PN#866248.01



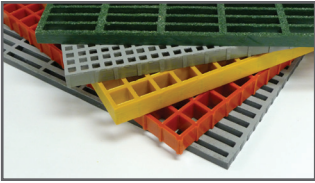
65" CLEARANCE
PN#866265.01



BALLASTED ROOFTOP SYSTEM
PN#865300



Fibergrate Products & Services



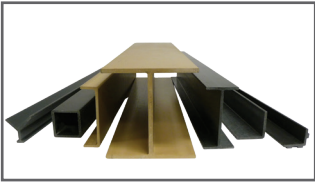
Fibergrate® Molded Grating

Fibergrate® molded gratings are designed to provide the ultimate in reliable performance, even in the most demanding conditions. Fibergrate offers the widest selection in the market with multiple resins and more than twenty grating configurations available in many panel sizes and surfaces.



Safe-T-Span® Pultruded Industrial & Pedestrian Gratings

Combining corrosion resistance, long-life and low maintenance, Safe-T-Span® provides unidirectional strength for industrial and pedestrian pultruded grating applications.



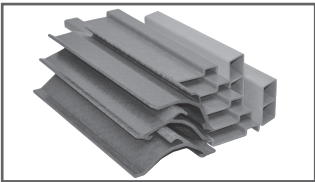
Dynaform® Structural Shapes

Fibergrate offers a wide range of standard Dynaform® pultruded structural profiles for industrial and commercial use, including I-beams, wide flange beams, round and square tubes, bars, rods, channels, leg angles and plate.



Dynarail® & DynaRound™ Guardrail, Handrail & Ladder

Easily assembled from durable components or engineered and prefabricated to your specifications, Dynarail square tube and DynaRound round tube railing systems and Dynarail safety ladder systems meet or exceed OSHA and strict building code requirements for safety and design.



Custom Composite Solutions

Combining Fibergrate's design, manufacturing and fabrication services allows Fibergrate to offer custom composite solutions to meet our client's specific requirements. Either through unique pultruded profiles or custom open molding, Fibergrate can help bring your vision to reality.



Design & Fabrication Services

Combining engineering expertise with an understanding of fiberglass applications, Fibergrate provides turnkey design and fabrication of fiberglass structures, including platforms, catwalks, stairways, railings and equipment support structures.



Worldwide Sales & Distribution Network

Whether a customer requires a platform in a mine in South Africa to grating on an oil rig in the North Sea, or walkways in a Wisconsin cheese plant to railings at a water treatment facility in Brazil; Fibergrate has sales and service locations throughout the world to meet the needs and exceed the expectations of any customer.

Fibergrate Composite Structures Inc. believes the information contained here to be true and accurate. Fibergrate makes no warranty, expressed or implied, based on this literature and assumes no responsibility for the consequential or incidental damages in the use of these products and systems described, including any warranty of merchantability or fitness. Information contained here can be for evaluation only. The marks and trade names appearing herein, whether registered or unregistered, are the property of Fibergrate Composite Structures Inc.

